

# DG-T

## Pressure Control Blower

Galvanized Steel Plate

Pressure control systems for foil cushion roofs

Roof areas up to 5,000 m<sup>2</sup>

Pressure range up to 3,000 pa



The blowers can be supplied in any RAL colour.

### Reliable in use - worldwide.

Nolting pressure control systems combine drying of the ambient air and increase in pressure with redundant fans, adsorption dryers (T) and memory-programmable control (wind, snow, pressure sensors). Various system sizes are available as base configuration - can be combined and modified for very large roof areas and cushion volumes. By integration of an additional system component all pressure control blowers can be used for shading as well (movable middle layer in cushion). The unit types DG-65 T/DG-100 T are equipped with frequency converter. Can also be supplied in stainless steel.

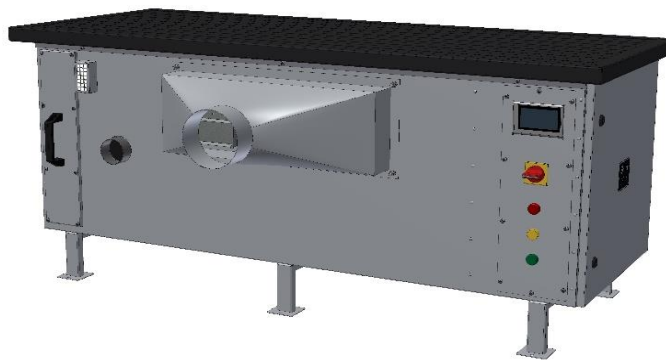


Worldwide references

[www.gustav-nolting-gmbh.de](http://www.gustav-nolting-gmbh.de)

(->the company -> references

-> pressure control blower)



DG-65 T / FU / SAS



DG-500 T

### GUSTAV NOLTING GmbH

Orbker Straße 38 | D-32758 Detmold

Phone +49 (0) 52 31 . 60 01-0

Fax +49 (0) 52 31 . 60 01-51

info@gustav-nolting-gmbh.de

www.gustav-nolting-gmbh.de



#### Technical Data

Type	DG-	500 T with Poti	65 T with Poti	65 T-FU* SAS	100 T with Poti	100 T-FU* SAS
* FU = Frequency converter						
Air output dryer	up to	cbm/h	190	190	190	310
Air output blower	up to	cbm/h	645	645	645	2,000
External pressure	up to	pa	1,100	2,000	2,000	3,000
Connection piece		mm	100	160	160	250
Sound		dB/A	53	53	50	55
Roof area		sqm	---	< 1,800	< 1,800	< 5,000
Air filter			F 5	F 5/7	F 5/7	G 3 + F 5/7
Electric connection		V/Hz	230 / 50	230 / 50	230 / 50	400 / 50
Length		mm	400	1,650	1,650	2,450
Width		mm	600	700	700	900
Height		mm	1,100	825	825	1,000
Weight about		kilos	120	150	150	350

Subject to changes of dimensions and technical data (Version: 2024-03)

# DG-T

## Pressure control blower

Pressure control blowers for foil cushion roofs

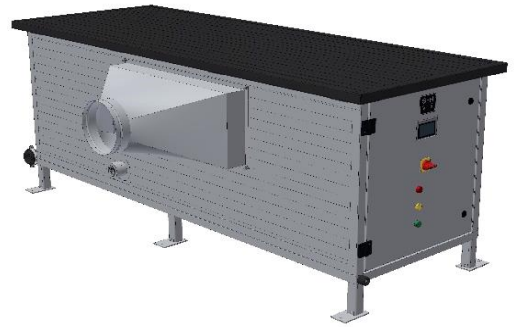
Roof areas up to 5,000 m<sup>2</sup>

Pressure range up to 3,000 pa

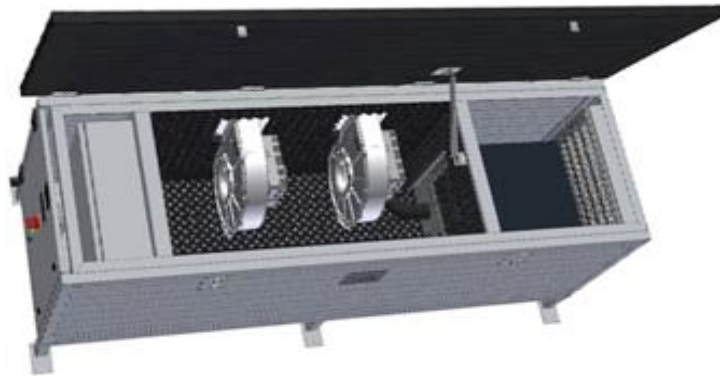
Galvanized steel plate



DG-100 T

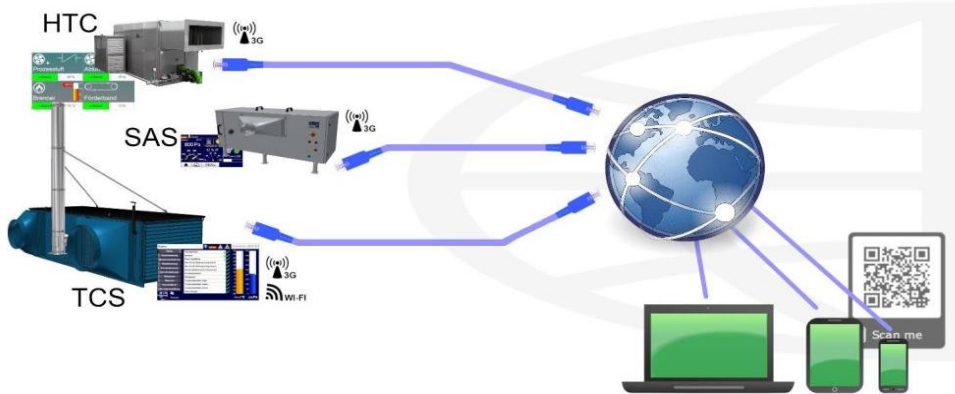


DG-100 T



DG-100 T

## Easy access for Nolting control systems TCS, SAS, HTC



## GUSTAV NOLTING GmbH

Orbker Straße 38 | D-32758 Detmold

Phone +49 (0) 52 31 . 60 01-0

Fax +49 (0) 52 31 . 60 01-51

info@gustav-nolting-gmbh.de

www.gustav-nolting-gmbh.de



DG-500 T



DG-500 T